



**Technical Specification**  
**Optical Fiber Cable Distribution Box**  
**FAB -HGT-8SX-A**



# Contents

- 1. General..... 2
  - 1.1 Description..... 2
  - 1.2 Standards Comply..... 2
  - 1.3 Applications Environment..... 2
- 2. Characteristics..... 3
- 3. Specifications..... 3
  - 3.1 Mechanical specifications..... 3
- 4. Configuration..... 4
  - 4.1 Main optical parameters..... 4
- 5. Product Picture..... 4
  - 5.1 Product cable ways:..... 4
  - 5.2 Fast Plug..... 4
  - 5.3 Fiber optic cable bifurcation..... 4
  - 5.4 Product cable ways:..... 5
  - 5.5 Splicing tray..... 5
- 6. Environmental characteristics..... 6
- 7. Installation:..... 6
  - 7.1. Wall-mounted installation..... 6
  - 7.2. Pole-mounted installation..... 6
  - 7.3. The overhead structure..... 6
  - 7.4. Wall-mounted installation (With drop cable storage tray)..... 7
  - 7.5. Pole-mounted installation (With drop cable storage tray)..... 7
  - 7.6. Aerial-mounted installation (With drop cable storage tray)..... 7
- 8. Connector operation..... 8
- 9. Package..... 8



# 1. General

## 1.1 Description

Pre-connectorized optical distribution box as the most advanced FTTX network distribution node equipment, provide quick and reliable connection, good protection and management for the FTTX network.

Production type	Classification
FAB-HGT-8SX-A	Optical fiber cable distribution box



Appearance of FAB-HGT-8SX-A

## 1.2 Standards Comply

The production offered by EFO are designed, manufactured and tested according to the standards as follows:

ITU-T G.652	Characteristics of a single-mode optical fibre
IEC 60794-1-1	Optical fibre cables-part 1-1: Generic specification-General
IEC 60794-1-2	Optical fibre cables-part 1-2: Generic specification-Basic optical cable test procedure

## 1.3 Applications Environment

Item	Value
Operation temperature	-40 °C~+65 °C
Installation temperature	-5 °C~+40 °C
Storage temperature	-40°C~+65 °C
Atmospheric pressure	70~106Kpa
Relative humidity	≤93%(+40°C)



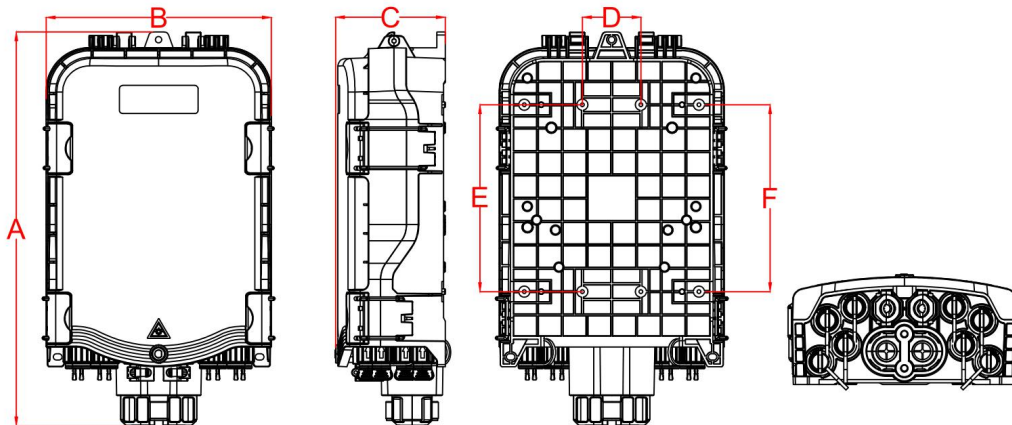
## 2. Characteristics

- 2.1. Advanced structure design, easy operation and reasonable routing.
- 2.2. Material: PP or PC+ABS.
- 2.3. Moisture proof, waterproof, dust-proof, anti-aging.
- 2.4. Protection level up to IP68.
- 2.5. 1 oval optical cable entry, 2 branch optical cable entries and 8 pre-connected adapters.
- 2.6. 2 type splice trays optional.
- 2.7. Installation method: pole-mounted, aerial-mounted, wall-mounted.
- 2.8. It can be equipped with drop cable storage tray to meet the storage of 50 meters 5mm round cable.

## 3. Specifications

### 3.1 Mechanical specifications

Item	Specifications	Remark
External dimension(mm)	340*210*97.5(A*B*C)	
Installation hole position(mm)	52*166*166(DxExF)	
Color	PANTONE 428C / PP(black)	Customizable
Size and quantity of optical cable hole	1 oval optical cable entry, 2 branch optical cable entries and 8 pre-connected adapters	
Capacity(Max)	4 type A or 8 type B melt fiber discs	It can be combined or selected
Into the largest cable diameter (mm)	∅18	
Maximum size of branch hole(mm)	∅16	
IP protection level	IP68	
Flammability	HB(Conventional)	can be customized
Neutral salt spray test (NSS)	48 h	according to requirements





## 4. Configuration

### 4.1 Main optical parameters

Pigtail	IL(dB)-Pigtail	IL(dB)-Distribution box	RL(dB)	Test method
Pigtail-SC/APC-00-SM-SX(1C1F)-OD0.9MM-PVC-G657A2-Cable Color(Default)-Indoor-RoHS-1.5m	≤0.3	≤0.5	≥55dB	IL: IEC61300-3-4 Method B RL: IEC61300-3-6

The optical parameters shown in the table above are default values, and can be customized according to requirements.

## 5. Product Picture

### 5.1 Product cable ways:



### 5.2 Fast Plug

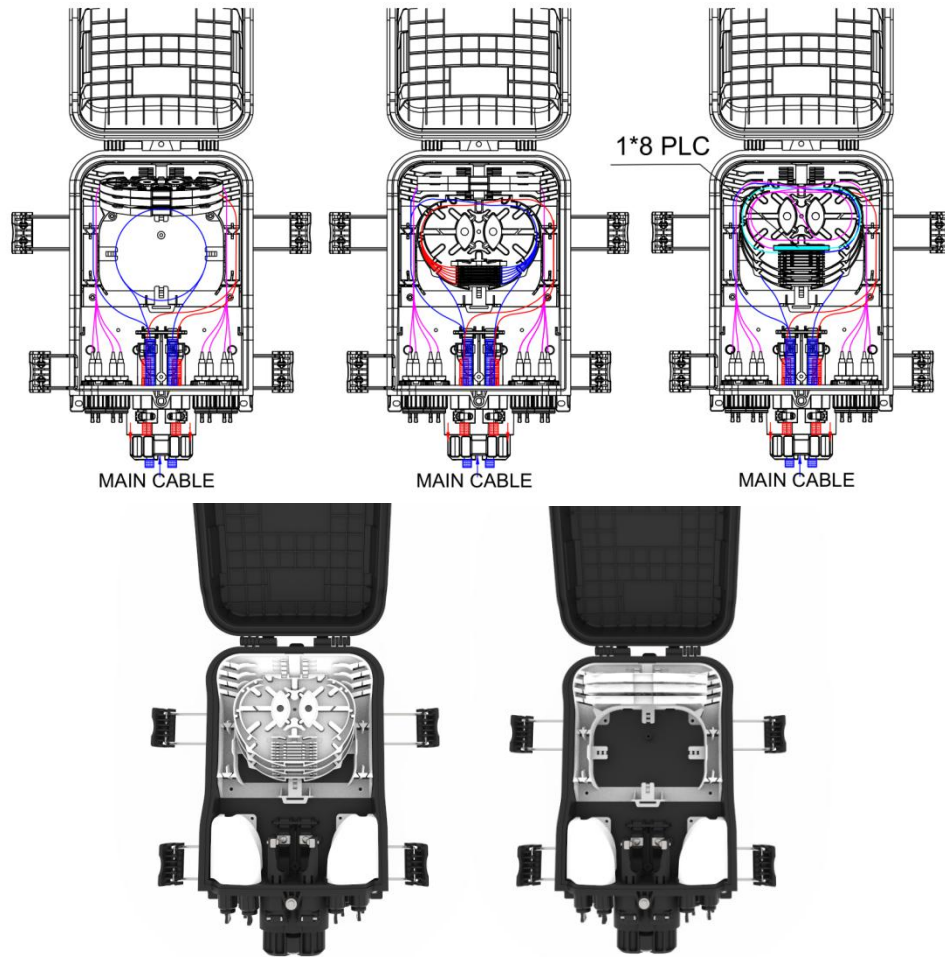
Fast installation, fastening, and sealing of straight-through optical cable with the Fast Plug.



### 5.3 Fiber optic cable bifurcation

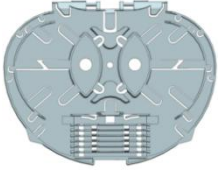
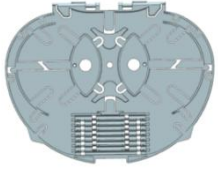


### 5.4 Product cable ways:



FAB-HGT-8SX-A routing diagram

### 5.5 Splicing tray

Item	Splicing tray A	Splicing tray B
Dimensions(H x W x D; unit: mm)	134*104*8	134*104*4
Net weight (unit: kg)	0.021	0.015
Picture		
Color	RAL7035	RAL7035
Material	PC+ABS	PC+ABS
Splicing capacity of a tray(cores)	12, 1 slot for 1/8 PLC	8



## 6.Environmental characteristics

This product complies with the RoHS environmental protection directive, and the content of lead, cadmium, mercury, hexavalent chromium, polybrominated biphenyl (PBB) and polybrominated diphenyl ether (PBDE) does not exceed the limit.

## 7. Installation:

### 7.1. Wall-mounted installation

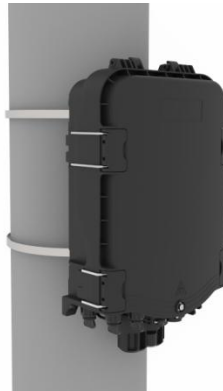
Drill 3 holes in the wall according to the dimension in table 2, place the expansion plug  $\Phi 7.5 \times 40$ , place the box to match up the holes and use screws to fasten.



Wall mounted installation

### 7.2. Pole-mounted installation

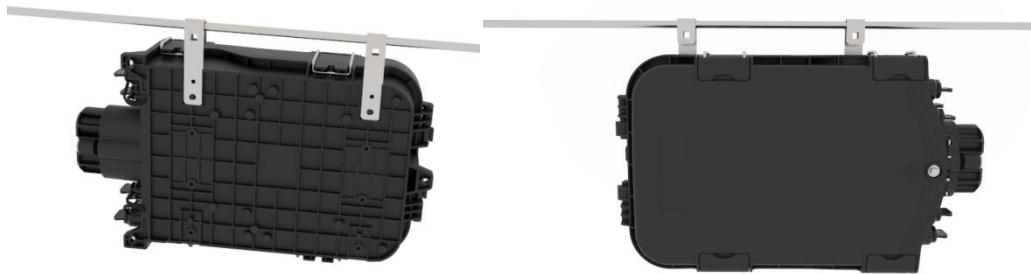
Pass the hoop ring through the slot of the back plate and fix it on the telecommunication pole.



Pole mounted installation

### 7.3. The overhead structure

Tie the two installed on the chassis of the overhead hung on the wire, and then bolted, prevent the case fall off.(Pic 6)



**The overhead structure**

#### **7.4. Wall-mounted installation (With drop cable storage tray)**

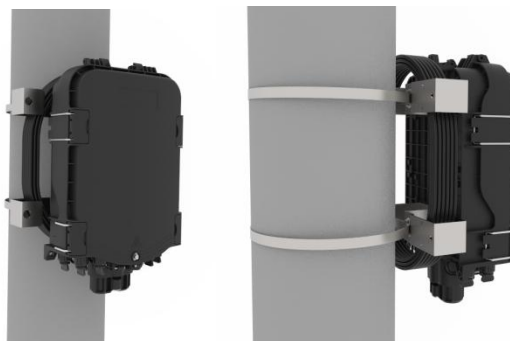
Drill 4 holes in the wall according to the dimension of the drop cable storage tray mounting hole, place the expansion plug  $\Phi 7.5 * 40$ , place the box to match up the holes, and fasten with the screws.



**Wall-mounted installation (With drop cable storage tray)**

#### **7.5. Pole-mounted installation (With drop cable storage tray)**

Pass the stainless steel belt through the slot of the drop cable storage tray and fix it on the pole with buckle.



**Pole-mounted installation (With drop cable storage tray)**

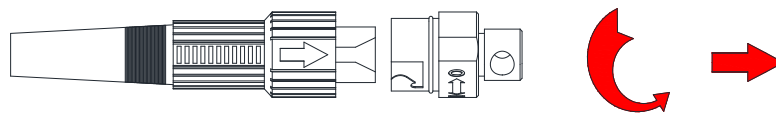
#### **7.6. Aerial-mounted installation (With drop cable storage tray)**

Use the small metal plate to fix the distribution box to the messenger.

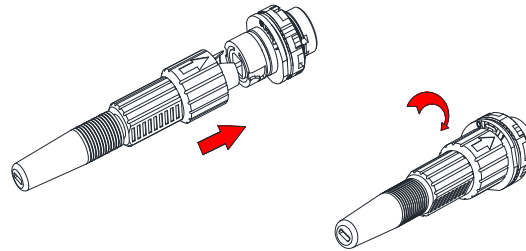


**Aerial-mounted installation (With drop cable storage tray)**

## 8. Connector operation



**Rotate the arrow part of fiber connector counterclockwise and take out the dust cap.**



**The arrow part of fiber connector is above, insert fiber connector into the socket and then rotate the arrow part clockwise.**

## 9. Package

1PC in a bubble bag, 420\*350mm ;

1PC in a small carton, 360\*215\*120mm, gross weight is 1.5kg ; 10PCS in a big corrugated carton, 450\*380\*630 mm, gross weight is 16kg.